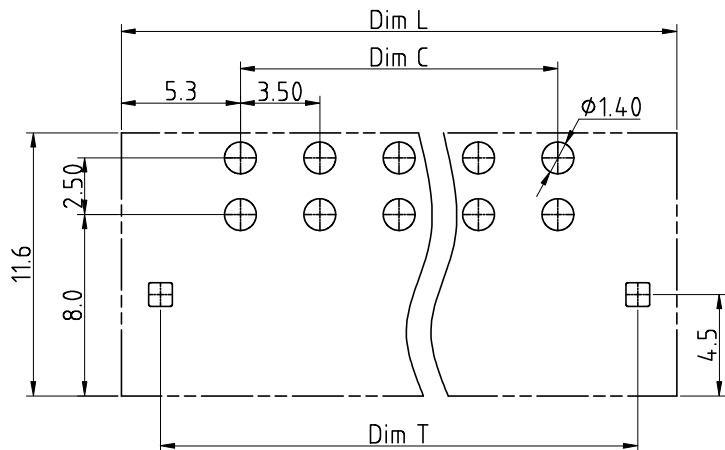
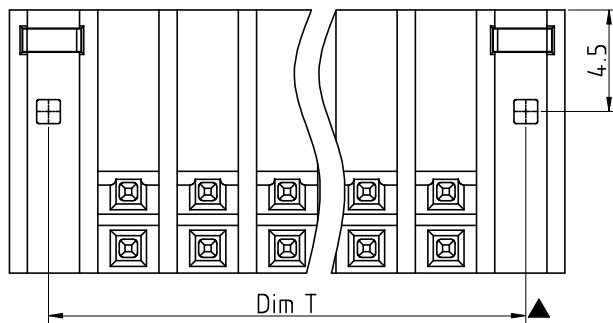
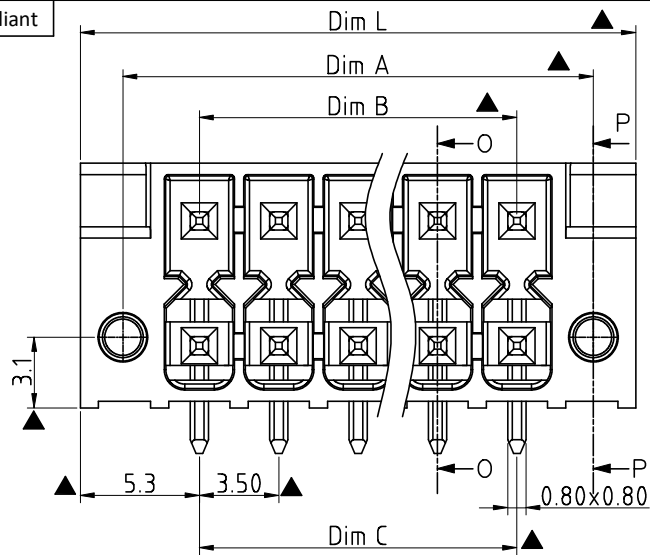
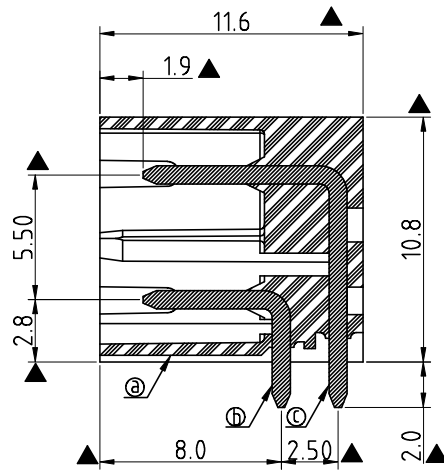


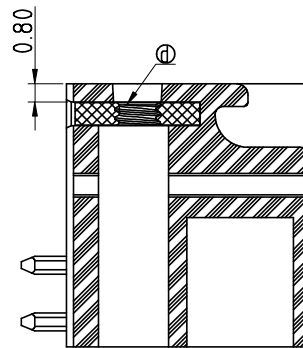
RoHS Compliant



P.C.B Layout
Top view



SECTION 0-0



SECTION P-P

DimL	$(N/2-1) \times 3.5 + 10.5$
DimA	$(N/2-1) \times 3.5 + 6.75$
DimB	$(N/2-1) \times 3.5$
DimC	$(N/2-1) \times 3.5$
DimT	$(N/2-1) \times 3.5 + 7.05$

N=Number of poles

POLES	Tol	Dim. Dim.L/A/T/B/C
2x2p-2x6p		±0.15
2x7p-2x12p		±0.25

REV	SIGN	DATE	DESCRIPTION	APPROVER
B		04/02-15	Initial release	Airy min
C	△	04/14-20	Change the Current rating from 5.5A to 8A	Chen Bo
	△	04/14-20	Update the drawing	Chen Bo

THIS IS CAD DRAWING, DO NOT REVISE MANUALLY!!!

Material:

- Item ② Terminal housing: LCP (UL94V-0) Halogen free
- Item ③ Male contact short pin: Copper, Matte Tin plated over Nickel plated.
- Item ④ Male contact long pin: Copper, Matte Tin plated over Nickel plated.
- Item ⑤ With flange nut: Brass ,Nickel plated. M2.0

Electrical: cULus

- Voltage rating: 150V
- Current rating: 8A
- Withstanding Voltage: 1.3KV
- Operating temperature: -40°C to +130°C
- Reflow soldering temperature: 260°C/10 Sec Max
- Safety Approval:
- Critical dimension: ▲

NR xx 1 2 x 1 xxxx G

No. OF POLES
04: 2x2 POLES
06: 2x3 POLES
:
24: 2x12 POLES

COLOR
0: BLACK

RoHS compliant
(lead<4%)
In copper Alloy

00G0: "@" Logo (Standard)
00GA: "ANYTEK" Mark
Any special item by
customer request.
please contact sales
department.



Amphenol ANYTEK				CUSTOMER COPY			
ALL RIGHTS RESERVED. REPRODUCTION OR ISSUE TO THIRD PARTIES IN ANY FORM WHATSOEVER IS NOT PERMITTED WITHOUT WRITTEN AUTHORITY FROM THE PROPRIETOR. PROPERTY OF ANYTEK TECHNOLOGY CO., LTD							
TITLE		NR3.5mm 90° With Flange Series					
PART NO.		NRxx12x1xxxxG		DWG NO.		8NR0001	
APPROVED		CHECKED		DESIGNED		DRAWN	
		Chen Bo 04/14-20		Chen Bo 04/14-20		CUST NO.	
						Tolerance	
						X. ±0.50	
						X.X ±0.30	
						X.XX ±0.10	
						X° ±1°	
SHEET: 01/01		REV: C		UNIT: mm		SCALE: NONE	